

## Leveling Feet

Steel

### SPECIFICATION

#### Types

- Type **N**: Without plastic cap
- Type **G**: With plastic cap, gliding
- Type **R**: With plastic cap, non-gliding

Foot plate / Screw  
Steel

- Property class 5.8
- Zinc plated, blue passivated

Retaining spring  
Stainless steel AISI 301

Plastic caps

- Type G  
Technopolymer (Polyacetal POM)  
Cream RAL 9001
- Type R  
Elastomer (TPE)  
Hardness  $\approx$  75 Shore A  
Black



### INFORMATION

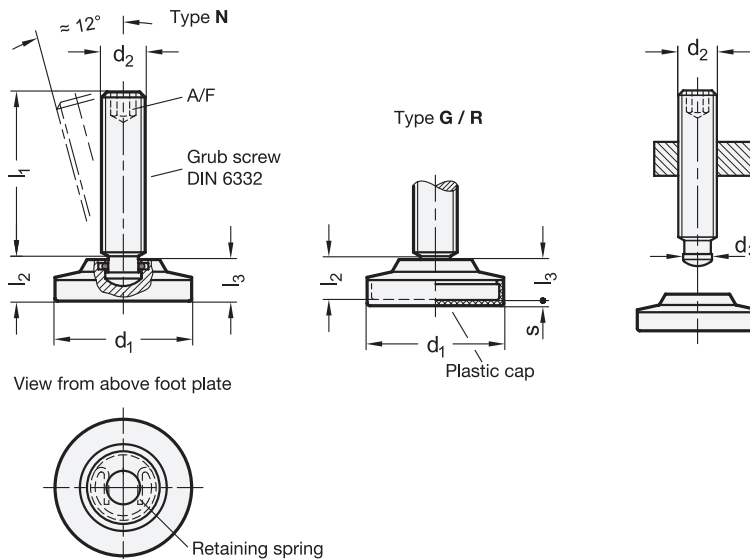
Leveling feet GN 6311.4 are used for installing and leveling devices and equipment.

The pin diameter  $d_3$  is smaller than the core diameter of the thread, with the effect that the screw can be turned in at the pin. The pressure pin is easily inserted into the plate, with the retaining spring ensuring that the assembly is secure in axial direction.

The values listed in the table for static load capacity refer to a purely vertical load in relation to the leveling foot. Under normal operating conditions, bending loads or angular loads are not uncommon and result in a reduction of load capacity which must be taken into consideration.

### TECHNICAL INFORMATION

- Strength Values of Screws / Nuts (see page A20)
- Plastic Characteristics (see page A2)
- Stainless Steel Characteristics (see page A26)



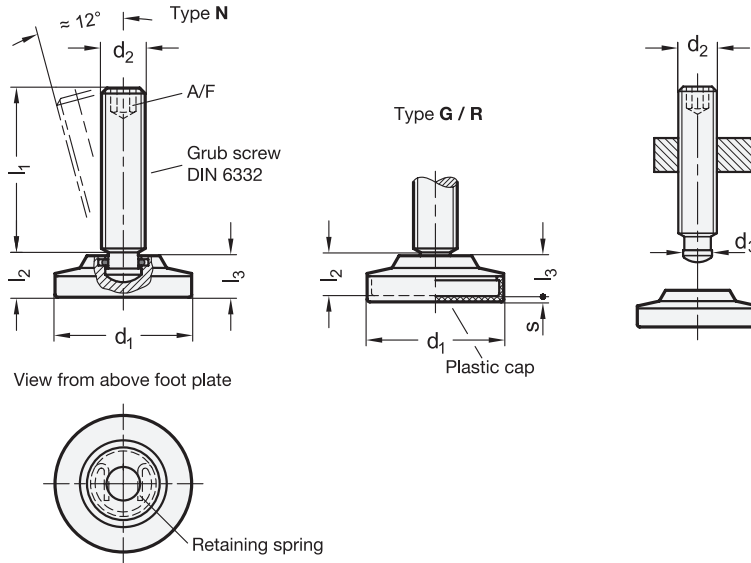
### GN 6311.4-N

Description	d1	d2	l1 ≈	d3	l2	l3	A/F	Static load in kN (see information)	⚖️
GN 6311.4-50-M10-37-N	50	M10	37	8	12.5	11.5	5	13	152
GN 6311.4-50-M10-47-N	50	M10	47	8	12.5	11.5	5	13	157
GN 6311.4-50-M10-57-N	50	M10	57	8	12.5	11.5	5	13	161
GN 6311.4-50-M10-72-N	50	M10	72	8	12.5	11.5	5	13	170
GN 6311.4-50-M12-41-N	50	M12	41	8	12.5	11.5	6	13	162
GN 6311.4-50-M12-51-N	50	M12	51	8	12.5	11.5	6	13	169
GN 6311.4-50-M12-61-N	50	M12	61	8	12.5	11.5	6	13	176
GN 6311.4-50-M12-71-N	50	M12	71	8	12.5	11.5	6	13	183
GN 6311.4-50-M12-91-N	50	M12	91	8	12.5	11.5	6	13	198
GN 6311.4-50-M16-59-N	50	M16	59	12	14.5	13.5	8	30	219
GN 6311.4-50-M16-69-N	50	M16	69	12	14.5	13.5	8	30	230
GN 6311.4-50-M16-89-N	50	M16	89	12	14.5	13.5	8	30	258
GN 6311.4-50-M16-114-N	50	M16	114	12	14.5	13.5	8	30	285
GN 6311.4-60-M16-59-N	60	M16	59	12	14.5	13.5	8	30	306
GN 6311.4-60-M16-69-N	60	M16	69	12	14.5	13.5	8	30	317
GN 6311.4-60-M16-89-N	60	M16	89	12	14.5	13.5	8	30	345
GN 6311.4-60-M16-114-N	60	M16	114	12	14.5	13.5	8	30	372
GN 6311.4-60-M20-78-N	60	M20	78	15.5	16.5	15.5	10	50	400
GN 6311.4-60-M20-88-N	60	M20	88	15.5	16.5	15.5	10	50	420
GN 6311.4-60-M20-113-N	60	M20	113	15.5	16.5	15.5	10	50	471
GN 6311.4-60-M20-138-N	60	M20	138	15.5	16.5	15.5	10	50	520
GN 6311.4-80-M16-59-N	80	M16	59	12	19	18	8	30	538
GN 6311.4-80-M16-69-N	80	M16	69	12	19	18	8	30	549
GN 6311.4-80-M16-89-N	80	M16	89	12	19	18	8	30	578
GN 6311.4-80-M16-114-N	80	M16	114	12	19	18	8	30	604
GN 6311.4-80-M20-78-N	80	M20	78	15.5	21	20	10	50	639
GN 6311.4-80-M20-88-N	80	M20	88	15.5	21	20	10	50	658
GN 6311.4-80-M20-113-N	80	M20	113	15.5	21	20	10	50	710
GN 6311.4-80-M20-138-N	80	M20	138	15.5	21	20	10	50	759
GN 6311.4-100-M16-59-N	100	M16	59	12	22	20	8	30	902
GN 6311.4-100-M16-69-N	100	M16	69	12	22	20	8	30	913
GN 6311.4-100-M16-89-N	100	M16	89	12	22	20	8	30	942
GN 6311.4-100-M16-114-N	100	M16	114	12	22	20	8	30	968
GN 6311.4-100-M20-78-N	100	M20	78	15.5	24	23	10	50	1002
GN 6311.4-100-M20-88-N	100	M20	88	15.5	24	23	10	50	1022
GN 6311.4-100-M20-113-N	100	M20	113	15.5	24	23	10	50	1073
GN 6311.4-100-M20-138-N	100	M20	138	15.5	24	23	10	50	1122

### GN 6311.4-G

Description	d1	d2	l1 ≈	d3	l2	l3	s	A/F	Static load in kN (see information)	⚖️
GN 6311.4-50-M10-37-G	50	M10	37	8	12.5	11.5	2	5	13	145
GN 6311.4-50-M10-47-G	50	M10	47	8	12.5	11.5	2	5	13	150
GN 6311.4-50-M10-57-G	50	M10	57	8	12.5	11.5	2	5	13	154
GN 6311.4-50-M10-72-G	50	M10	72	8	12.5	11.5	2	5	13	163
GN 6311.4-50-M12-41-G	50	M12	41	8	12.5	11.5	2	6	13	156
GN 6311.4-50-M12-51-G	50	M12	51	8	12.5	11.5	2	6	13	162
GN 6311.4-50-M12-61-G	50	M12	61	8	12.5	11.5	2	6	13	169
GN 6311.4-50-M12-71-G	50	M12	71	8	12.5	11.5	2	6	13	176
GN 6311.4-50-M12-91-G	50	M12	91	8	12.5	11.5	2	6	13	191
GN 6311.4-50-M16-59-G	50	M16	59	12	14.5	13.5	2	8	30	213
GN 6311.4-50-M16-69-G	50	M16	69	12	14.5	13.5	2	8	30	223
GN 6311.4-50-M16-89-G	50	M16	89	12	14.5	13.5	2	8	30	252
GN 6311.4-50-M16-114-G	50	M16	114	12	14.5	13.5	2	8	30	278
GN 6311.4-60-M16-59-G	60	M16	59	12	14.5	13.5	2	8	30	296
GN 6311.4-60-M16-69-G	60	M16	69	12	14.5	13.5	2	8	30	307
GN 6311.4-60-M16-89-G	60	M16	89	12	14.5	13.5	2	8	30	336
GN 6311.4-60-M16-114-G	60	M16	114	12	14.5	13.5	2	8	30	362
GN 6311.4-60-M20-78-G	60	M20	78	15.5	16.5	15.5	2	10	50	390
GN 6311.4-60-M20-88-G	60	M20	88	15.5	16.5	15.5	2	10	50	410
GN 6311.4-60-M20-113-G	60	M20	113	15.5	16.5	15.5	2	10	50	461
GN 6311.4-60-M20-138-G	60	M20	138	15.5	16.5	15.5	2	10	50	510





GN 6311.4-R

Description	$d_1$	$d_2$	$l_1 \approx$	$d_3$	$l_2$	$l_3$	$s$	A/F	Static load in kN (see information)	
GN 6311.4-50-M10-37-R	50	M10	37	8	12.5	11.5	2	5	5	133
GN 6311.4-50-M10-47-R	50	M10	47	8	12.5	11.5	2	5	5	134
GN 6311.4-50-M10-57-R	50	M10	57	8	12.5	11.5	2	5	5	142
GN 6311.4-50-M10-72-R	50	M10	72	8	12.5	11.5	2	5	5	152
GN 6311.4-50-M12-41-R	50	M12	41	8	12.5	11.5	2	6	5	144
GN 6311.4-50-M12-51-R	50	M12	51	8	12.5	11.5	2	6	5	151
GN 6311.4-50-M12-61-R	50	M12	61	8	12.5	11.5	2	6	5	158
GN 6311.4-50-M12-71-R	50	M12	71	8	12.5	11.5	2	6	5	165
GN 6311.4-50-M12-91-R	50	M12	91	8	12.5	11.5	2	6	5	179
GN 6311.4-50-M16-59-R	50	M16	59	12	14.5	13.5	2	8	5	202
GN 6311.4-50-M16-69-R	50	M16	69	12	14.5	13.5	2	8	5	212
GN 6311.4-50-M16-89-R	50	M16	89	12	14.5	13.5	2	8	5	241
GN 6311.4-50-M16-114-R	50	M16	114	12	14.5	13.5	2	8	5	267
GN 6311.4-60-M16-59-R	60	M16	59	12	14.5	13.5	2	8	7	276
GN 6311.4-60-M16-69-R	60	M16	69	12	14.5	13.5	2	8	7	287
GN 6311.4-60-M16-89-R	60	M16	89	12	14.5	13.5	2	8	7	315
GN 6311.4-60-M16-114-R	60	M16	114	12	14.5	13.5	2	8	7	342
GN 6311.4-60-M20-78-R	60	M20	78	15.5	16.5	15.5	2	10	7	370
GN 6311.4-60-M20-88-R	60	M20	88	15.5	16.5	15.5	2	10	7	389
GN 6311.4-60-M20-113-R	60	M20	113	15.5	16.5	15.5	2	10	7	441
GN 6311.4-60-M20-138-R	60	M20	138	15.5	16.5	15.5	2	10	7	490
GN 6311.4-80-M16-59-R	80	M16	59	12	19	18	2.5	8	12	501
GN 6311.4-80-M16-69-R	80	M16	69	12	19	18	2.5	8	12	512
GN 6311.4-80-M16-89-R	80	M16	89	12	19	18	2.5	8	12	541
GN 6311.4-80-M16-114-R	80	M16	114	12	19	18	2.5	8	12	567
GN 6311.4-80-M20-78-R	80	M20	78	15.5	21	20	2.5	10	12	601
GN 6311.4-80-M20-88-R	80	M20	88	15.5	21	20	2.5	10	12	620
GN 6311.4-80-M20-113-R	80	M20	113	15.5	21	20	2.5	10	12	672
GN 6311.4-80-M20-138-R	80	M20	138	15.5	21	20	2.5	10	12	721
GN 6311.4-100-M16-59-R	100	M16	59	12	22	20	3	8	19	852
GN 6311.4-100-M16-69-R	100	M16	69	12	22	20	3	8	19	863
GN 6311.4-100-M16-89-R	100	M16	89	12	22	20	3	8	19	892
GN 6311.4-100-M16-114-R	100	M16	114	12	22	20	3	8	19	918
GN 6311.4-100-M20-78-R	100	M20	78	15.5	24	23	3	10	19	950
GN 6311.4-100-M20-88-R	100	M20	88	15.5	24	23	3	10	19	970
GN 6311.4-100-M20-113-R	100	M20	113	15.5	24	23	3	10	19	1021
GN 6311.4-100-M20-138-R	100	M20	138	15.5	24	23	3	10	19	1070